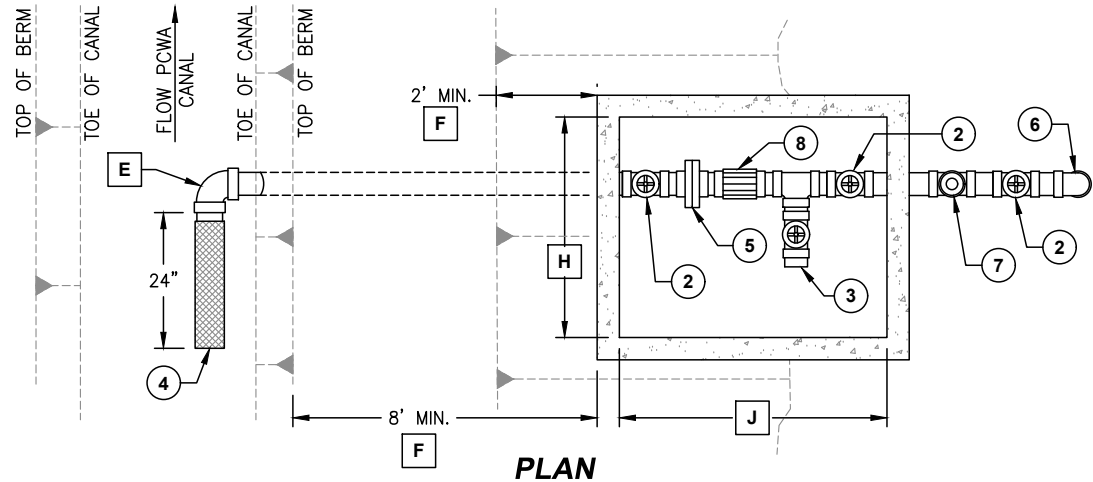
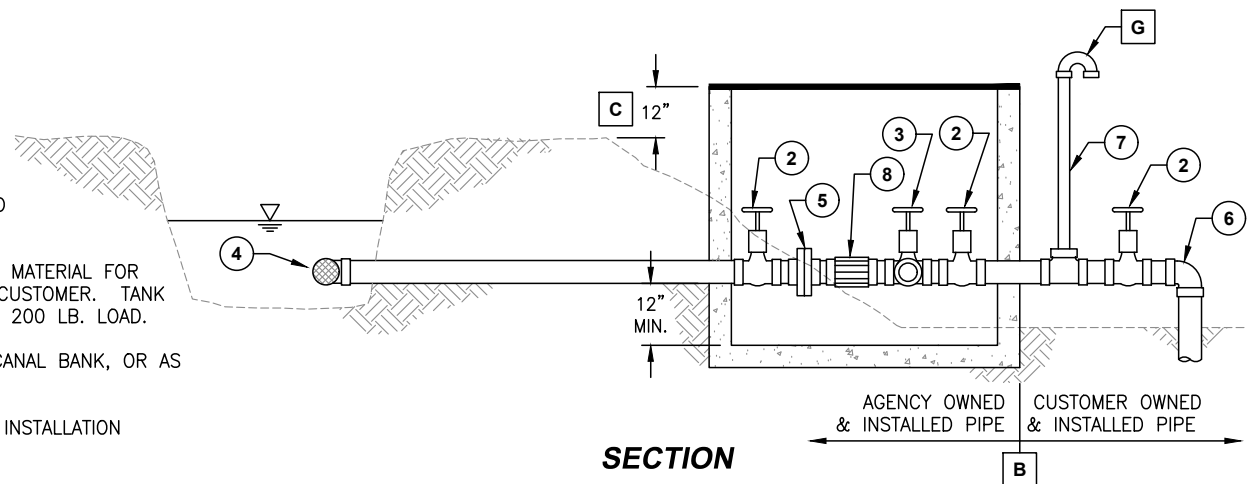


- | ITEM | DESCRIPTION |
|------|---|
| ① | LID – GALV. STEEL CHECKER PLATE OR GRATING
TANK LID SHALL BE CAPABLE OF SUPPORTING A
POINT LOAD OF 200 LBS. (MIN.). |
| ② | OUTLET SHUT OFF VALVE, MATCH SIZE OF TANK
OUTLET PIPE. |
| ③ | FLUSHING OUTLET, MATCH SIZE OF TANK OUTLET
PIPE. |
| ④ | THD RAW WATER SCREEN SIZED FOR 1/2" LOSS AT
MAX. FLOW, MAX. SCREEN OPENING OF 1/2". |
| ⑤ | FLANGE FITTING FOR ORIFICE PLATE. |
| ⑥ | OUTLET. |
| ⑦ | VENT, MATCH INLET PIPE OR 2" DIAMETER MAXIMUM. |
| ⑧ | COMPRESSION COUPLING. |



NOTES:

- A** STABILITY OF BERM MUST NOT BE ENDANGERED DUE TO BOX OR INLET PIPE INSTALLATION.
- B** BOX AND LID TO BE INSTALLED BY CUSTOMER. MATERIAL FOR CONSTRUCTION OF TANK MAY BE CHOSEN BY CUSTOMER. TANK SHALL BE WATER TIGHT AND MUST SUPPORT A 200 LB. LOAD.
- C** TOP OF TANK SHALL BE 12" ABOVE TOP OF CANAL BANK, OR AS DETERMINED BY AGENCY REPRESENTATIVE.
- D** WATER SURFACE ELEVATION IS DEPENDENT ON INSTALLATION LOCATION.
- E** INSTALL 90° EL TO ALLOW SCREEN TO BE ROTATED 90°.
- F** SET BOX 2' MIN. FROM OUTSIDE EDGE OF BERM AND 8' MIN. FROM INSIDE EDGE OF BERM, WHICHEVER IS GREATER.
- G** VENT OUTLET TO BE FLUSH WITH OR HIGHER THAN TOP OF BOX.
- H** 36" OR 8X INLET PIPE DIAMETER, WHICHEVER IS GREATER, MINIMUM.
- J** 48" OR 10X INLET PIPE DIAMETER, WHICHEVER IS GREATER, MINIMUM.



SEE APPENDIX D FOR A PRE-APPROVED MATERIALS LIST.

**CUSTOMER IRRIGATION
WATER - HARD PIPED SERVICE**

DRAWING NO.
S306



APPROVED: *R. Brent Smith* (Signature)
R. BRENT SMITH, P.E.
DIRECTOR OF TECHNICAL SERVICES

REVISION DATE
JUNE 12, 2020